



**SPIERINGS
KRANEN**

Make: SPIERINGS Type: SK377-AT3

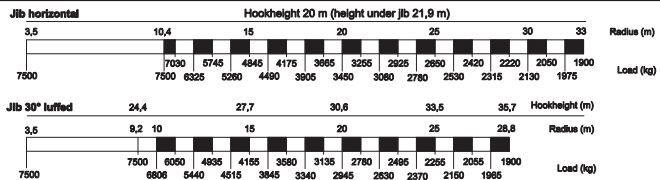
Crane specification

Serial number: <input type="text" value="377072"/>	Crane group : 3 as per NEN 2018	Max. load 7,5 tonne	Max. radius with max. load 10,4 m	Max. capacity 78 tm	Max. Jib length 33 m
	Year of construction: <input type="text" value="2008"/>				

Speeds

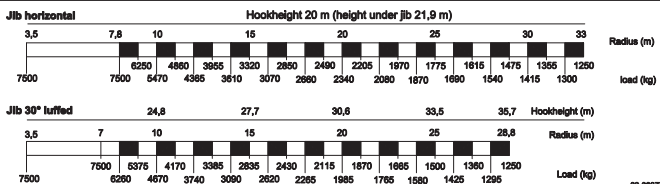
Jib horizontal/ jib 30° luffed											
	<table border="1"> <tr><th>m/min</th><th>kg</th></tr> <tr><td>18</td><td>7500</td></tr> <tr><td>27</td><td>3750</td></tr> <tr><td>36</td><td>1875</td></tr> <tr><td>60</td><td>0</td></tr> </table>	m/min	kg	18	7500	27	3750	36	1875	60	0
m/min	kg										
18	7500										
27	3750										
36	1875										
60	0										
	0 - 70 m/min										
	0 -1 rpm										

LIFTING CHART Outrigger support base 6,90 m x 6,40 m



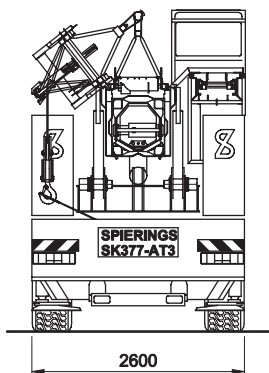
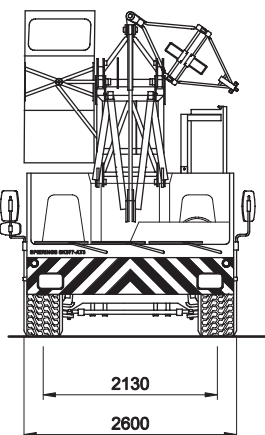
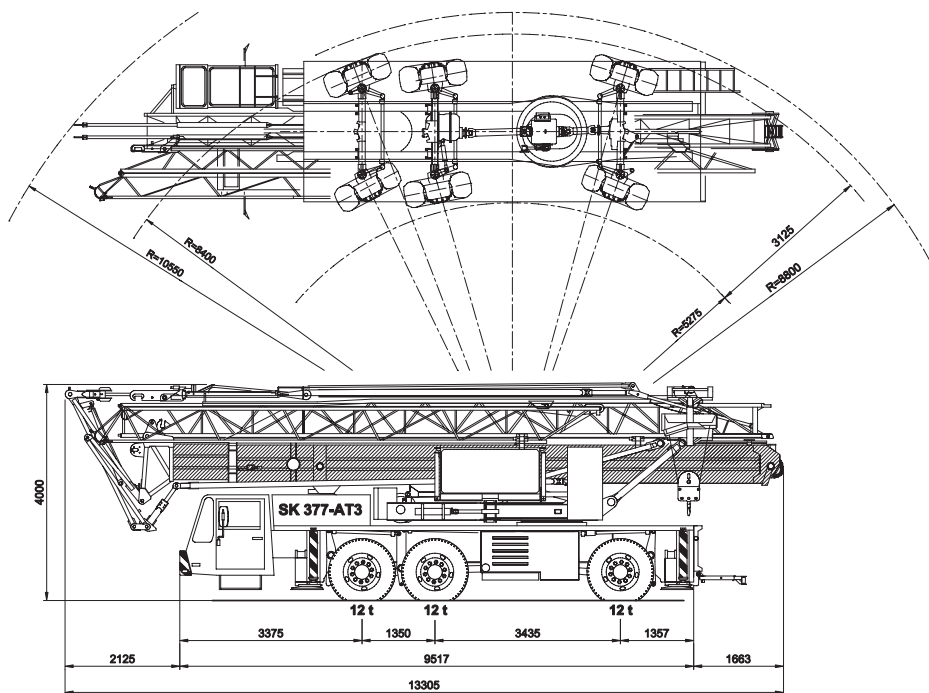
All motions with hydraulic proportional controls
Luffing the jib 30° can be controlled from crane cab or via remote control
Crane can be driven in its erected position under special conditions (refer user guide).
Rated lifting capacity is net capacity
Crane equipped with full counterweight: 5700kg
Continuous slewing (360°) with outriggers out and support pads down.
2 Outriggers support bases: according to lifting chart
Operation allowed up to wind force 8 BF (17 m/sec).
Sail area of the load max. 1,2 m² / tonne at a windforce of 7 on the Beaufortscale.
Operating temperature range from -16° to 40° C.
Max. line pull force 3750 kg; in all cases 2 parts of line
The crane should be folded in at a windforce of 9 BF (21m/sec) or when not in use for a longer period
Changes subject to modifications

LIFTING CHART Outrigger support base 6,90 m x 4,80 m



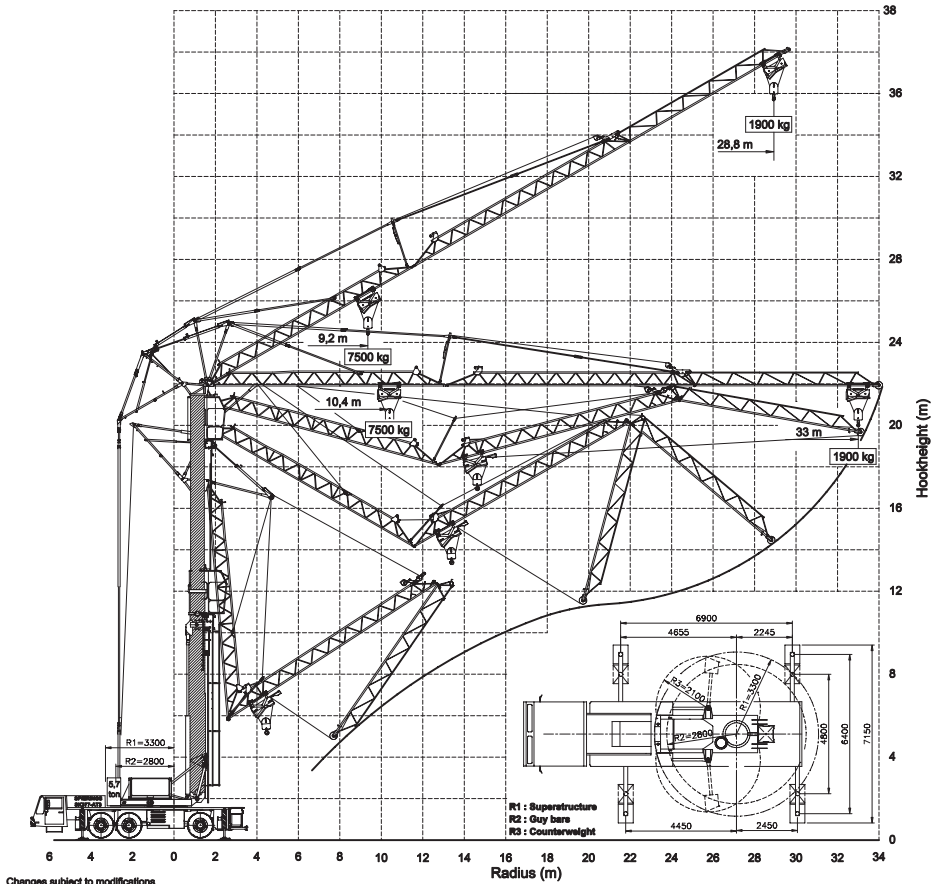
EDINS
08-36 96 00

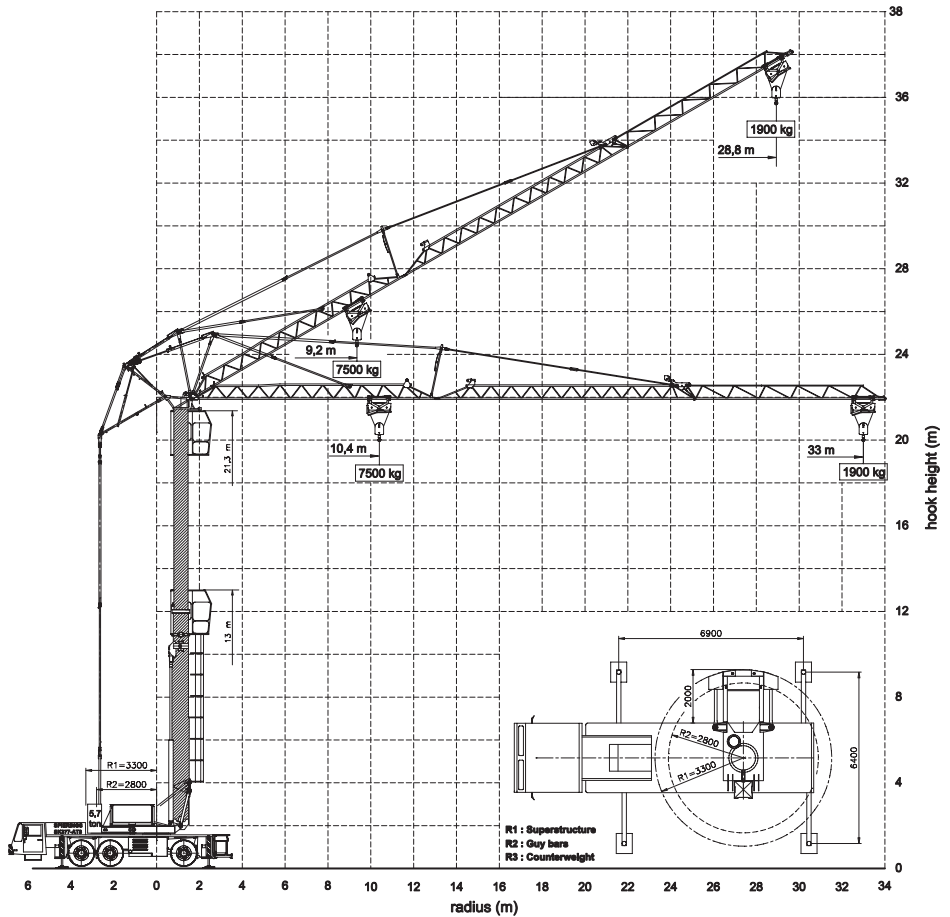
Spierings
SK377-AT3



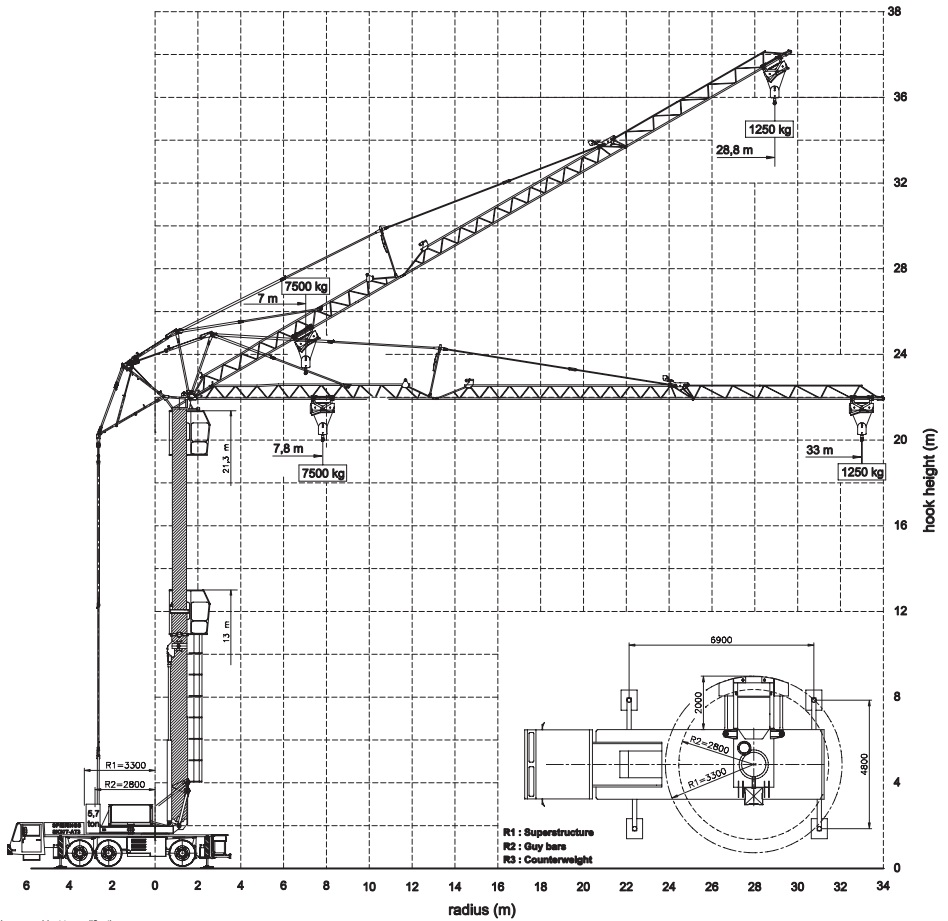
Erection procedure of the crane

Max. outrigger force : 300 kN
Outrigger support pads : 750x600 mm
Ground pressure : 0,67 N/mm²
Jib can be unfolded through 360°
Luffing the jib 30° can be controlled from the crane cab or remote control



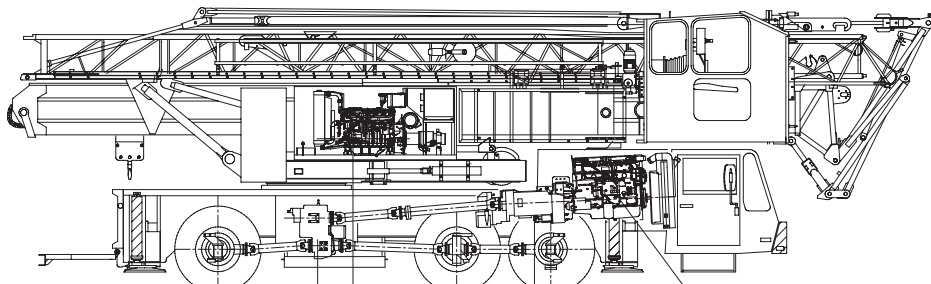


Changes subject to modifications



Changes subject to modifications

Drive train Spierings Folding Crane



Axle 3	Axle 2	Axle 1	Carrier diesel engine:
Transferbox: STEYR VG1800/396	Crane diesel engine John Deere 4045HF475	Gearbox: ZF 16S151	Euro IV DAF: PR 285 (9,2 ltr)
Road gear: $i=0,89$	Power: 129 kW (2200 tpm)	Manually operated with air power assistance	Power: 265 kW (2200 tpm)
Off road gear: $i=1,54$	Torque: 700 Nm (1400 tpm)	+ dry plate clutch	Torque: 1450 Nm (1700 tpm)

Axle 1 : steer drive axle ($i=7,29$)

Axle 2 : axle, (not steering, not driven)

Axle 3 : steer drive axle ($i=7,29$)

Suspension: hydro-pneumatic on all axles; stroke cyl. : 247 mm

Tyres

Max. speed carrier

Min. speed carrier (engine at 1000 rpm)

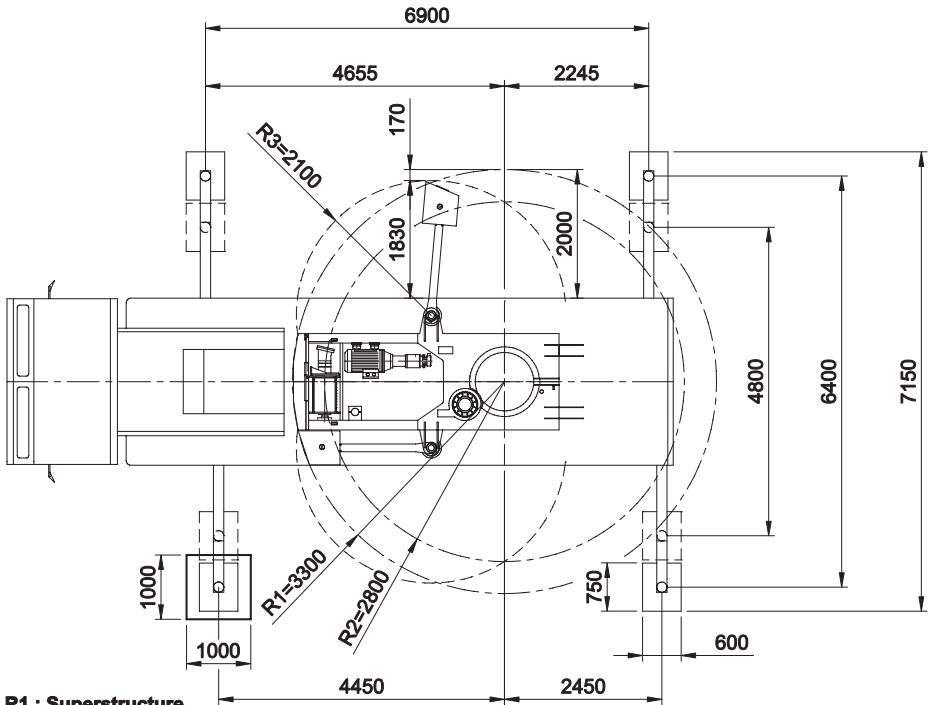
Overall weight

: 445/75 R22,5

85 km/h

1,8 km/h

38000 kg



- R1 : Superstructure**
R2 : Guy bars
R3 : Counterweight

Outrigger support base	
Max. outrigger force	300 kN
Outrigger support pads	750x600 mm
Ground pressure	0,67 N/mm²
Outrigger support plates	1000x1000 mm
Surface	1,00 m²
Ground pressure	0,30 N/mm²